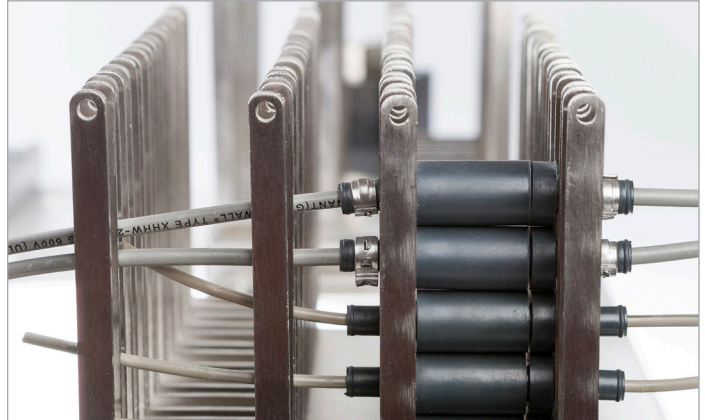
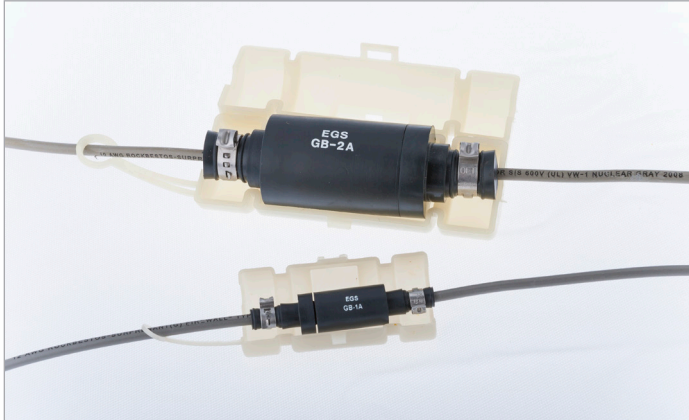


EGS GRAYBOOT “A” Connector Series

**CURTISS -
WRIGHT**

Nuclear Power Products and Services



Product Description

The EGS GRAYBOOT “A” connector is a single conductor, quick-disconnect, elastomer body, sealed connector whose performance is equivalent to nuclear grade heat shrink tubing or uninterrupted nuclear grade wire with regard to insulation resistance and leakage current. This connector features gold or silver plated contacts crimped to the user’s field wiring and inserted into the connector body. The connector halves are then secured to the wire by a special crimp-clamp. Sealing is maintained at the wire to body interface by the clamp and at the connector halves by the elastomer to elastomer seal. No maintenance is required.

The GRAYBOOT “A” is an improved design over the original GRAYBOOT (extended use ranges, optional wire clamps for GB-1A). The GB-1A connectors are interchangeable with the GB-1 connectors.

Design Features

- Quick connect/disconnect (push/pull)
- Easy installation
- Small size for conduit and instrument enclosure use
- Eliminates splicing problems
- EQ tested including submergence
- Utilizes existing pigtails/field wire
- Anti-tamper clamps available
- No maintenance
- High insulation resistance during LOCA
- Low current leakage for instrument sizes
- 600V rating, up to 46 amps (1000V outside containment)
- ALARA savings over repetitive splicing
- Better performance than most splices, terminal blocks and connectors
- Quick installation tools available
- Allows for easy transition from large wire to small wire
- Continuous Use Temperature 257°F (125°C)

Qualification Levels

(Per EGS Report EGS-TR-1038.2-08)

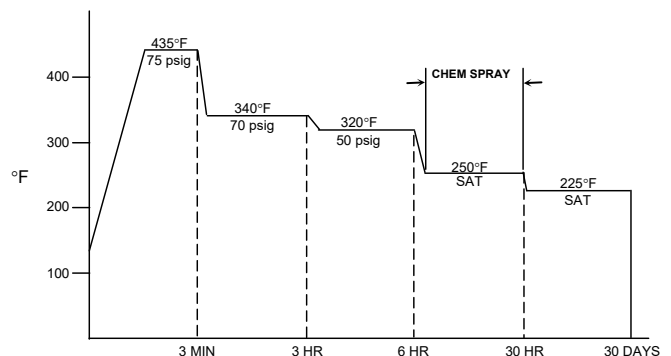
- Qualified life: 40.2 years at 150°F (65.6°C)
- Radiation: 2.1E8 rads gamma
- Submergence: 30 days
- Extended Submergence: 409 days
- Accident Peaks: 448°F/102 psig (231°C/825.3 kPa)

(See figure below)

Qualification Standards

Successfully qualified by test in accordance with:

- ANSI N45.2
- 10CFR50/Appendix B
- 10CFR21
- NQA-1
- CSA registered
- IEEE 323-1974/1983
- IEEE 344-1975/1987
- IEEE 572-1985
- 10CFR50.49



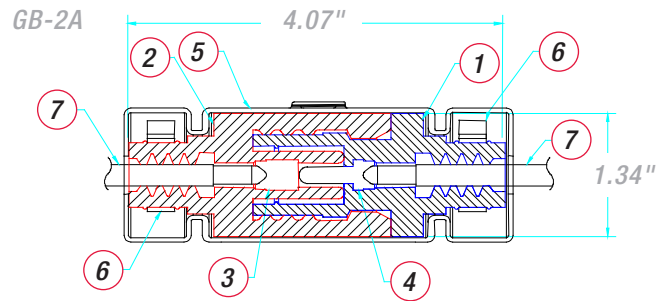
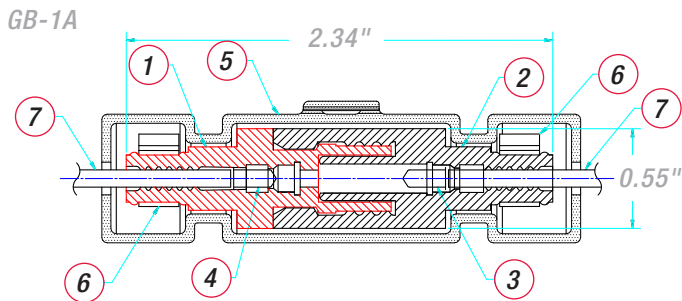
EGS GRAYBOOT "A" Connector Series

EGS GRAYBOOT "A" Connector Specifications (Partial List)

Parameter	GB-1A (16-18)	GB-1A (12-14)	GB-2A (12-18)	GB-2A (8-10)	GB-3A (4-6)
AWG Range	16-18	12-14	12-18	10-8	6-4
Rated Voltage (volts)	600	600	600	600	600
Rated Current (amps)	13	23	30	46	85
Rated Contact Resistance (ohms)	0.0026	0.0013	0.0005	0.0005	0.0004
Insulated Wire Diameter Use Range (inches)	0.080-0.170	0.080-0.170	0.140-0.280	0.140-0.280	0.270-0.425

Notes:

- Individual components such as pins/sockets can be ordered per part numbers shown on GRAYBOOT "A" Assembly Drawings A-N-1038.1-6, -7, -8, -9, -10, -17, or -21
- For additional kit P/N and configurations, refer to the GRAYBOOT "A" Selection Guide



Installation (See diagram above)

Installation is quick and easy. Wire ends (7) are stripped and the pin (4) and socket (3) are crimped to their respective ends. One clamp (6) is slipped loosely over each end of the wire and moved down the wire for later crimping. The insertion tool is then used to grasp the pin or socket and push it into place in the boots (1 or 2). The clamps (6) are now crimped. If desired, an anti-tamper clamp (5) may be snapped over the mated connector.

Item	Description	Material
1	Plug Boot	EPDM
2	Receptacle Boot	
3	Socket	Cooper Alloy (gold plated for GB-1A and silver plated for GB-2A and GB-3A)
4	Pin	
5	Cover/Clamp	Polyketone (non-safety-related, optional, diameter 0.82 for GB-1A, diameter 1.5 for GB-2A and GB-3A)
6	Wire Clamp	Stainless Steel 300 Series
7	Wire	Supplied by Plant or EGS

Installation tools include:

- P/N GB-1A-IK (installation kit for GB-1A)
- P/N GB-2/3A-IK (installation kit for GB-2A and GB-3A)
- P/N TBM-6S (crimp tool for GB-2A and GB-3A)

Refer to GRAYBOOT "A" Selection Guide for additional information.

How to Order

The EGS GRAYBOOT "A" is ordered by P/N and conductor size per the Selection Guide.

CONTACT INFORMATION:

18001 Sheldon Road, Middleburg Hts., OH 44130
 electricalconnections@curtisswright.com | +1.216.267.3200