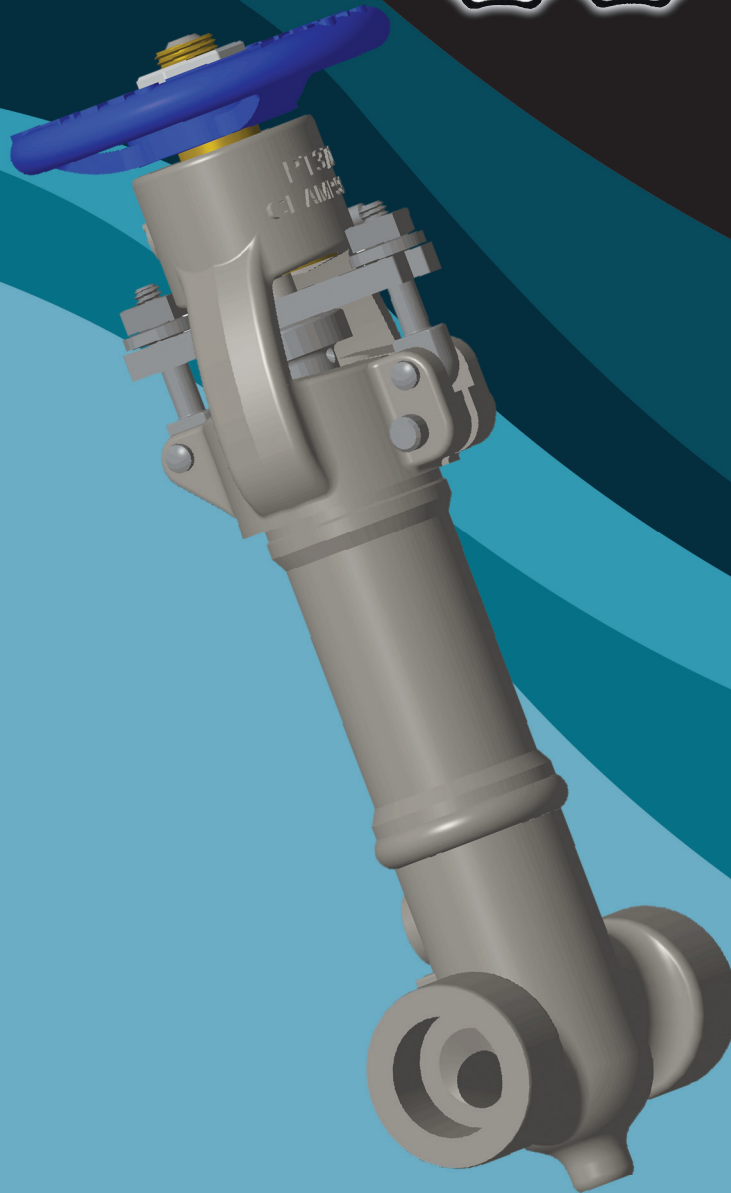




World Class Bellows Seal Valves

- *Low Weight & Seismic Profile*
- *Leak-proof Integrity*
- *In-line Servicing*
- *High Cycle Bellows*
- *High Flow Capacity*
- *No Fugitive Emissions*



Conval Clampseal® Bellows Seal Valve: Engineered for the demanding environments and regulations of severe service process control



APPLICATION

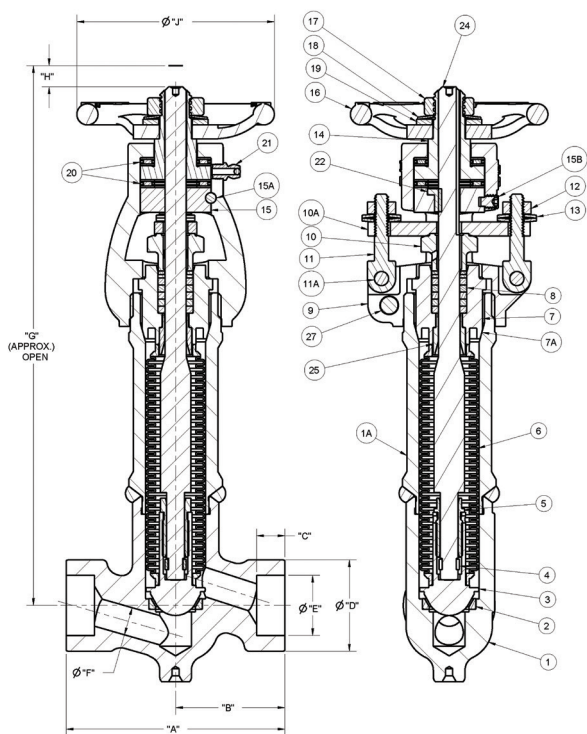
When leakage to the environment is not an option, the ingenious design and rugged construction of the Conval Bellows Seal Valve provides continuous, problem-free service. Whether your application media is toxic, corrosive, caustic or just plain expensive, Conval Bellows Seal Valves provide the optimal solution.

FEATURES

- **General Design and Wall Thickness:** ASME B16.34/API 602
- **Leak Proof Integrity:** Triple Redundancy via Bellows, Live Loaded Packing and Backseat
- **Low Weight and Seismic Profile:** Ideal for Nuclear Applications
- **Bellows Inspection and Test:** MSS SP-117/API 602
- **Cycle Life (900# Class):** Greater than 10,000 (1/2"-2"), 3,000 (2-1/2"-4")
- **Helium Leak Test:** Mass Spectrometer with less than 1x10⁻⁶ cc/sec leakage
- **Bellows Material:** Hydroformed, Multi-Ply Inconel 625 (other materials available)
- **Size Range:** 1/2" – 4" NPS
- **Pressure Range:** ASME Class 150#-900#*
- **End Connection:** Socket Weld, Butt Weld, Flange and Threaded
- **Configuration:** Wye, Tee and Angle Pattern
- **In-Line Renewable:** Can be serviced in-line, resulting in shortened downtime and industry-leading, low life cycle costs

*See Conval catalog for high pressure bellows valves to Class 2500#

CLAMPSEAL® BELLOWS SEAL VALVE LIST OF MATERIALS



NO.	NAME	QTY	CARBON STEEL BODY	ALLOY STEEL BODY	STAINLESS STEEL BODY
1	BODY	1	ASME SA-105	ASME SA182-F22 class 3	ASME SA182-F316/316L
1A	BODY EXTENSION	1	ASME SA-106 Gr B ASME SA696 Gr C	ASME SA335 Gr P22 ASME SA182-F22 class 3	ASME SA312 Gr Type 316 ASME SA479 Type 316
2	SEAT	1	ASTM A5387 GR. 6		ASTM A732 GR. 21
3	DISC	1		ASTM B 815	
4	SPLIT RING	2		ASME SA479 TYPE XM-19H	
5	RETAINER	1		ASME SA479 Type 316	
6	BELLOWS ASSY	1		ASTM B443, UNS N06625	
7	BONNET	1	ASME SA479 TYPE 410		ASME SA479 TYPE 316
7A	BONNET SEAL RING				ASTM A732 GR. 21
8	PACKING SET	1		BRAIDED CARBON/GRAPHITE DIE FORMED FLEXIBLE GRAPHITE	
9	YOKE	1	ASME SA-105	ASME SA182-F22 class 3	ASME SA182-F316/316L
10	GLAND	1		ASTM A479 TYPE 316	
10A	GLAND PLATE	1		ASTM A240 TYPE 316	
11	SWING BOLT	2		ASTM A320 TYPE 303	
11A	GROOVED PIN	2		18-8 STAINLESS STEEL	
12	GLAND PLATE NUT	2		18-8 STAINLESS STEEL	
13	BELLEVILLE WASHER	4		301 STAINLESS STEEL	
14	STEM NUT	1		ASME SB-150, UNS C64200	
15	BEARING RETAINER	1		ASME SB-150, UNS C64200	
15A	GROOVED PIN	1		18-8 STAINLESS STEEL	
16	HANDWHEEL	1		ASTM A536	
17	JAM NUT	1		18-8 STAINLESS STEEL	
18	BELLEVILLE WASHER	1		301 STAINLESS STEEL	
19	FLAT WASHER	1		ASME B18.21.1 18-8 STAINLESS	
20	BEARING SET	2		BEARING STEEL	
21	GREASE FITTING	1		303 STAINLESS STEEL	
22	KEY	1		AMS 5596 718	
23	ID. TAG (NOT SHOWN)	1		304 STAINLESS STEEL	
24	STEM	1		ASTM SB637, UNS N07718 ASME SA479 TYPE XM-19H	
25	STEM GUIDE	1		ASTM A732 GR. 21	
26	WASHER	1		18-8 STAINLESS STEEL	
27	CLAMP BOLT	1		18-8 STAINLESS STEEL	

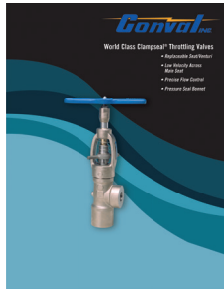
CLAMPSEAL® BELLOWS SEAL VALVE DIMENSIONS

SIZE NPS DN	PRESSURE CLASS	A	B	C	D	E	F	G	H	J	CV	WEIGHT LB KG	SIZE CODE
1/2 15	900	3.88 98	1.94 49	.38 10	1.63 41	.86 22	.38 10	9.63 245	0.38 10	3.50 89	3.0	6.2 2.8	3C
3/4 20	900	3.88 98	1.94 49	.50 13	1.63 41	1.07 27	.50 13	9.63 245	0.38 10	3.50 89	3.7	6.2 2.8	3D
1 25	900	4.94 125	2.47 63	.50 13	2.25 57	1.34 34	.75 19	9.94 253	0.45 11	5.00 127	4.7	10.5 4.7	5F
1 1/4 32	900	4.94 125	2.47 63	.50 13	2.25 57	1.68 43	1.00 25	10.50 267	0.45 11	5.00 127	5.0	10.5 4.7	5G
1 1/2 40	900	8.50 216	4.25 108	.63 16	3.25 83	1.92 49	1.25 32	10.88 276	0.46 16	8.00 203	10.5	20.5 9.3	7H
2 50	900	8.50 216	4.25 108	.63 16	3.25 83	2.41 61	1.50 38	10.88 276	0.46 16	8.00 203	15.5	20.5 9.3	7J
2 1/2 65	900	10.25 260	5.13 130	.63 16	4.25 108	2.91 74	1.88 48	20.18 512	0.75 19	10.00 254	22.0	45 20.4	8K
3 80	900	10.25 260	5.13 130	* 16	4.25 108	* 74	2.25 58	20.18 512	0.75 19	10.00 254	35.0	45 20.4	8L
4 100	900	12 305	6.00 152	* 16	4.25 108	* 74	2.63 67	20.18 512	0.75 19	10.00 254	48.0	45 20.4	8M

Please visit Conval.com for additional information on other nuclear valves from Conval:



General Catalog



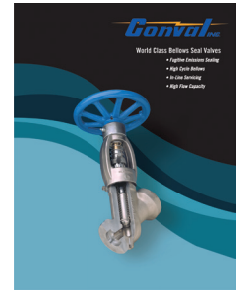
**Clampseal®
Throttling Valves**



**Camseal®
Ball Valves**



**Swivldisc®
Gate Valves**



**Higher-pressure
Clampseal®
Bellows Seal Valves**

Founded in 1967, Conval has become a leader in valves for the world's most demanding applications. We have a global team of experts to help you to meet your most challenging needs. We invite you to contact us today.



MADE IN



U. S. A

Conval INC.

World Headquarters: 96 Phoenix Avenue, Enfield, CT 06082 USA

Phone (860) 749-0761 Fax (860) 763-3557

e-mail: sales@Conval.com www.Conval.com

Conval's policy is one of continuous development and improvement. Every effort is made to produce up-to-date literature, but this catalog should not be regarded as an infallible guide to current specifications and does not form part of any contract. Conval reserves the right to make product improvements and changes without prior notice.