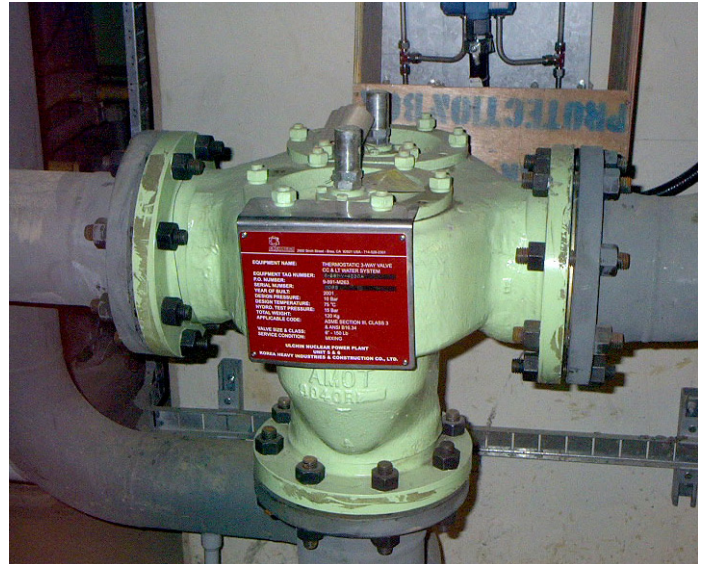


AMOT

3-way Thermostatic Control Valves

**CURTISS-
WRIGHT**

Nuclear Power Products and Services



About our Teaming Partner

AMOT has been the industry leader providing 3-way thermostatic temperature control valves for nearly 70 years. The AMOT design is the accepted standard in various industrial applications around the world including nuclear applications. The thermostatic valves are used to provide control solutions in nearly every Emergency Diesel Generator (EDG) at U.S. nuclear power plants. The valves are used to ensure the generators are ready to meet the less than 10 second required startup time when an emergency arises.

Since 2009, Curtiss-Wright Nuclear has been AMOT's exclusive teaming partner for the supply of AMOT products for all ASME Code Section III (N or NPT stamped) applications and is also a distributor of safety-related and commercial grade AMOT products to the U.S. and Canadian nuclear power industry.

amot

Nuclear
CWNUCLEAR.COM

AMOT

3-way Thermostatic Control Valves

AMOT Design Characteristics

- No external power source required - simple, low cost installation
- Rugged, robust construction
- User setting unnecessary - 'fit-and-forget' solution
- Low pressure drop across the valve
- Easy installation - operates in any mounting position
- Tamperproof temperature settings

Typical Applications

- Lubricating oil temperature control
- Jacket water high temperature (HT)
- Secondary water low temperature (LT)
- Heat recovery
- Water saving applications
- Boiler inlet temperature control
- Co-generation, cooling towers
- Temperature mixing or diverting
- Engine and compressor cooling system

Material Options

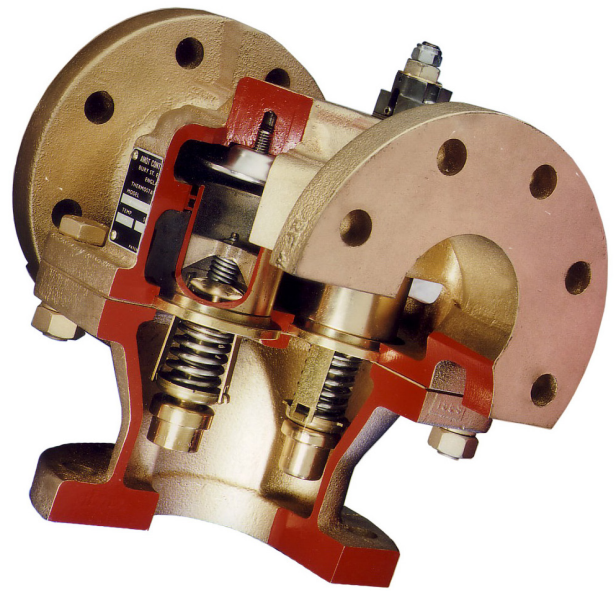
- Cast Iron
- Ductile Iron
- Steel
- Bronze

Key Features

- Completely self-contained
- Positive 3-way valve action
- High Resistance to Shock
- Manual Override

Key Benefits

- Small number of parts - simple maintenance and low cost of ownership
- Robust design capable of high vibration and shock applications
- Easy installation, operates in any mounting position
- Automatic self-sensing control with positive proportional valve action



Model Type B - internal view

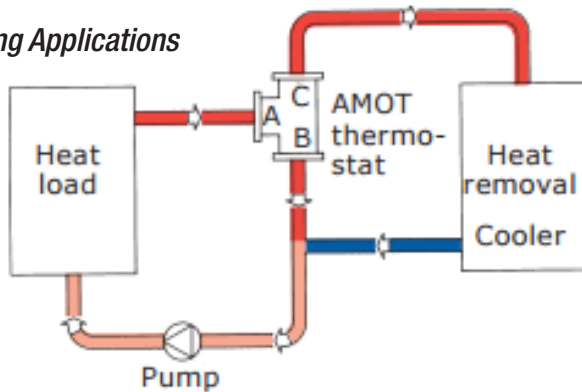


Model Type B

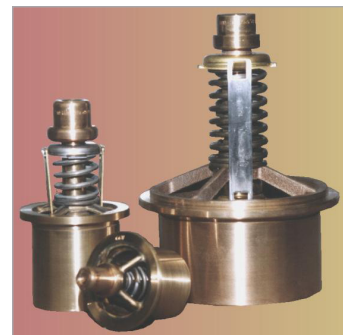
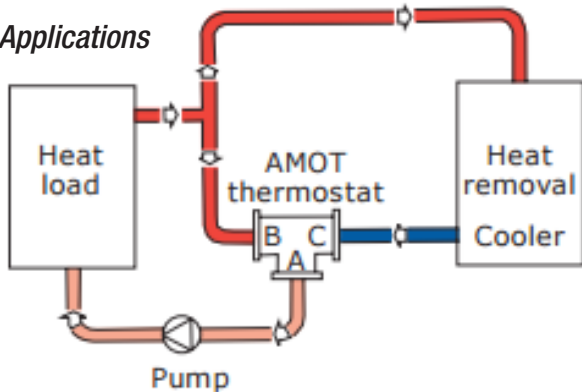


Model Type H

Diverting Applications



Mixing Applications



Element Assemblies

CONTACT INFORMATION:

2950 Birch Street Brea, CA 92821
enertech@curtisswright.com | +1.714.528.2301