

# EGS BLUEBOOT Connector Series

*Non-Safety Related*

**CURTISS -  
WRIGHT**

Nuclear Power Products and Services



## Product Description

The EGS BLUEBOOT is a compact, easy-to-install design to be used as an alternative to splicing, terminal blocks, and large multi-pin connectors.

The EGS BLUEBOOT connector is a single conductor quick-disconnect for non-safety related applications. Similar to the safety-related GRAYBOOT, it is an elastomer body/sealed connector whose performance is equivalent to heat shrink tubing or uninterrupted wire with regard to insulation resistance and leakage current. This connector typically features plated contacts crimped to the user's field wiring and inserted into the connector body. Sealing is maintained at the wire to body interface and at the connector halves by the elastomer to elastomer seal. No maintenance is required.

## Design Features

- Quick connect/disconnect (push/pull)
- Easy installation
- Small size for conduit and instrument enclosure use
- Eliminates splicing problems
- Utilizes existing pigtails/field wire
- No maintenance
- High insulation resistance
- Low current leakage
- Better performance than most splices, terminal blocks and connectors
- Quick installation tools available
- Allows for easy transition from large wire to small wire
- Temperature range: -193°F to 199°F (-125°C to 93°C)
- Blue cosmetic visually distinguishes from EGS EQ qualified GRAYBOOT
- Cover clamps not necessary

# BLUEBOOT Connector Series

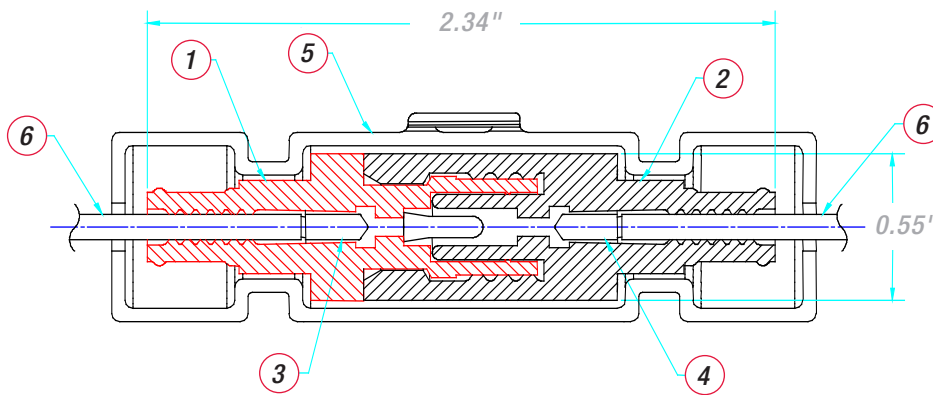
Non-Safety Related

## BLUEBOOT Connector Specifications

Item	Description	Material
1	Plug Boot	Neoprene
2	Receptacle Boot	Neoprene
3	Socket	Copper alloy (plating varies by size)
4	Pin	Copper alloy (plating varies by size)
5	Cover Clamp	Not included
6	Wire	Supplied by plant

## Installation

Installation is quick and easy. Wire ends (6) are stripped and the pin (4) and socket (3) are crimped to their respective ends. The insertion tool is then used to grasp the pin or socket and push it into place in the boots (1 or 2).



## CONTACT INFORMATION:

18001 Sheldon Road, Middleburg Hts., OH 44130  
electricalconnections@curtisswright.com | +1.216.267.3200